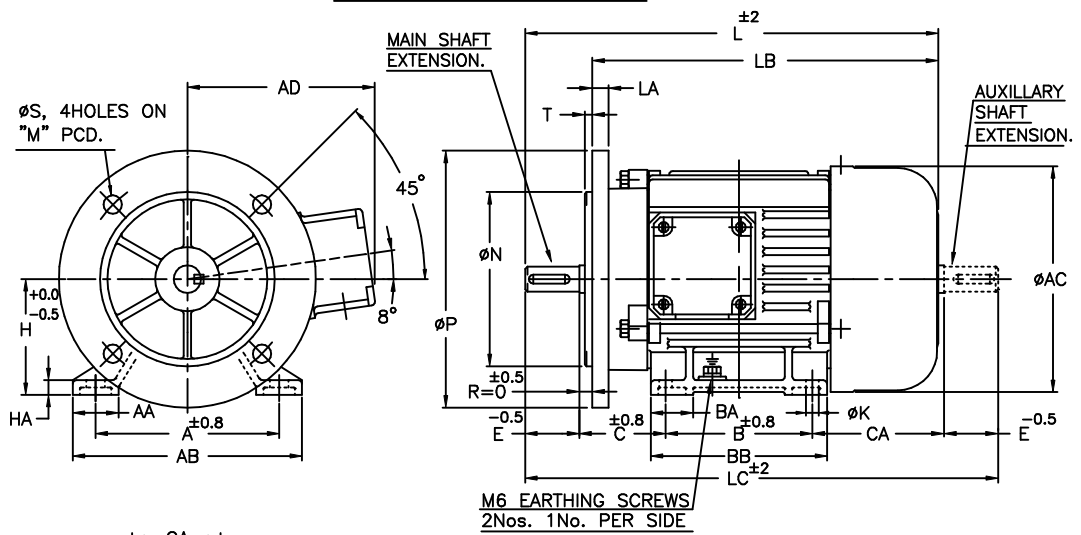


UNMENTIONED TOLERANCES  
 LINEAR ABOVE 0 6 315 1000  
 DIMENSIONS (SUPTO 6 315 1000 2000  
 (MACHINED) TOL. ±0.2 ±0.5 ±0.8 ±1.2  
 ANGLES ± 1/2°

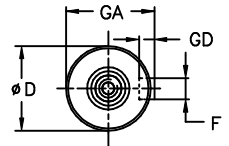
ALL INFORMATION CONTAINED IN THIS DOCUMENT IS CONFIDENTIAL AND THE PROPERTY OF KIRLOSKAR ELECTRIC CO.LTD. REPRODUCING OF THESE IN ANY FORM IS TO BE DONE WITH THE SPECIFIC PERMISSION OF THE COMPANY.

**DIMENSIONAL DRAWING**

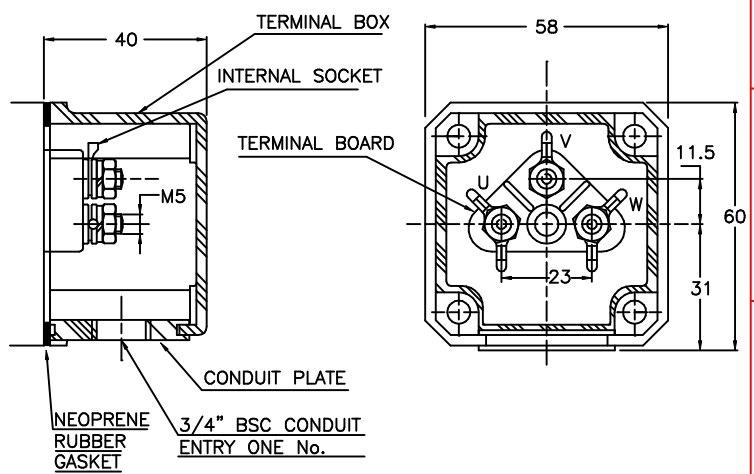


- NOTE :**
1. DIMENSIONS ARE AS PER IS:1231 & 2223
  2. DEGREE OF PROTECTION: IP:55.
  3. TOLERANCE ON 'D' : j6. TOLERANCE ON 'N' : j6.
  4. PROTECTED CENTRE HOLE AT SHAFT EXTENSION AS PER IS:2540.  
 "M4 X 16" FOR 'D'- ø11  
 "M5 X 12" FOR 'D'- ø14
  5. TERMINAL BOX CAN BE ROTATABLE THROUGH 360° IN STEPS OF 90°.
  6. KEY & KEYWAY ARE AS PER IS:2048 & TOLERANCE ON KEYWAY IS P9.

**DETAILS OF MAIN & AUXILIARY SHAFT EXTENSION**



**TERMINAL BOX ARRANGEMENT**



**NOTE:** MAX. CABLE SIZE : MAIN-1x3Cx4 sqmm.

SURFACE ROUGHNESS (MAX) AS PER KSD-02-027  
 Ra µm 50 12.5 25 1.6 3.2 6.3 1 0.2 0.4 0.8 1.6 0.025 0.05 0.1  
 OLD NEW  
 UNMENTIONED  
 CHAM:  
 RAD:  
 UC:

SL. NO.	FRAME	A	AA	AB	AC	AD	B	BA	BB	C	CA	D	E	F	GA	GD	H	HA	K	L	LA	LB	LC	M	N	P	S	T
1	FBPM 63	100	25	125	123	105	80	23	96	40	72	11	23	4	12.5	4	63	8	7	210	9	187	238	115	95	140	10	3.0
2	FBPM 71	112	25	137	140	115	90	28	106	45	70	14	30	5	16	5	71	8	7	233	9	203	265	130	110	160	10	3.5

**Z122602100JR**

THIS SUPERSEDES ..... FROM dt ..... AS PER DCN No.....  
 THIS SUPERSEDED BY ..... FROM dt ..... AS PER DCN No.....

MATERIAL SPECIFICATION	RAW MATERIAL SIZE	WEIGHT kg	SCALE	
—	—	RM FIN.	NTS	
CASTING/FAB REF. USED ON		No.P.S.: —	REDRAWN	
FBPM63 & 71		sd/-	CHECKED	STANDARD
TITLE: DIMENSION SHEET		dt10/01/09	APPROVED	sd/-
32260298R1		dt10/01/09	dt10/01/09	dt10/01/09

SHEET ONE OF ONE

**KIRLOSKAR ELECTRIC COMPANY LTD. HUBLI-580030 (INDIA)**

1	—	0122209	REDRAWN IN A NEW FORMAT	Sd/-	10/01/09	QA MARKETING PRODUCTION
REV.	ZONE	DCN.No.	BRIEF RECORD	SIGNATURE	DATE	PRINTS ISSUED TO
8	7	6	5			

FORM No. 02 201 02B (ISSUE 7)